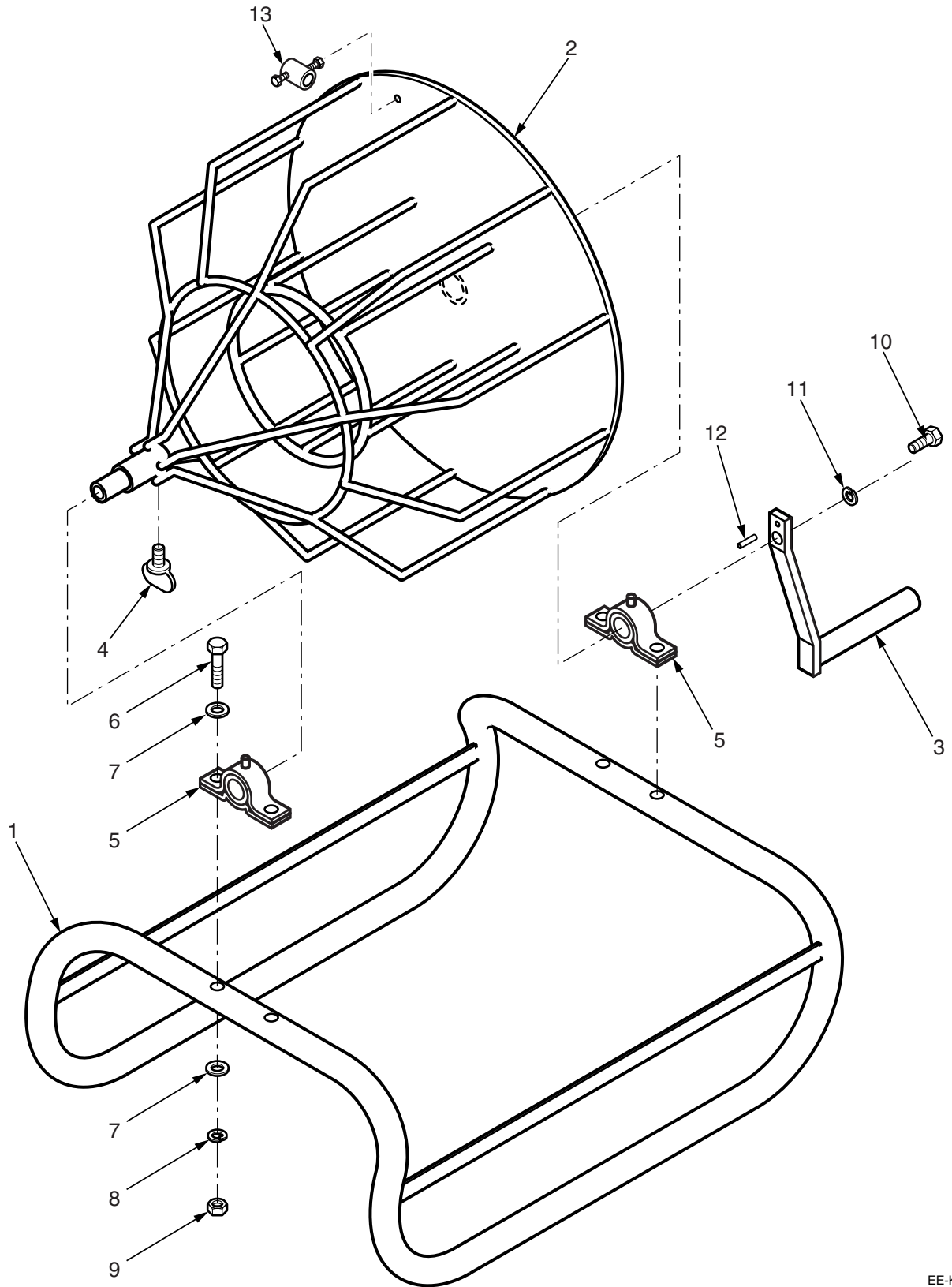


# MODEL K DRAIN CLEANING MACHINE



EE-K1

## MODEL K DRAIN CLEANING MACHINE

ITEM NUMBER	PART NUMBER	DESCRIPTION	AMT
1	K-1A	Frame Assembly . . . . .	1
2	K-2A	Cage Assembly . . . . .	1
3	K-6A	Crank Handle Assembly . . . . .	1
4	TS38	3/8" Thumb Screw . . . . .	1
5	K-PB	Pillow Block Assembly . . . . .	2
6	CSHH51618134	Pillow Block Capscrews . . . . .	4
7	WA516S	Pillow Block Washers . . . . .	8
8	LW516	Pillow Block Lockwashers . . . . .	4
9	NU51618FHP	Pillow Block Nuts . . . . .	4
10	CSHH381658	Handle Capscrew . . . . .	1
11	LW38	Handle Lockwasher . . . . .	1
12	RP1478	Handle Drive Pin . . . . .	1
13	DN-6	Cable Anchor . . . . .	1